

Series 2000

Installation Instructions

Face Fix Options

● **STEP 1 – Measure**

Measure the position of the outside two brackets and using a pencil, mark the hole positions on the wall using the bracket holes as a guide. (See Fig. 1)

● **STEP 2 – Placement**

Use a drill to create holes in the plasterboard. If there are timber or metal studs behind the plasterboard, do not use a wall plug. If there is a cavity behind the plasterboard, use wall plugs. Be careful to not put the wall plugs too close together as this can weaken the plasterboard and fixing.

● **STEP 3 – Mounting**

Use a string line between the two end brackets to get the level for the remaining brackets, then equally space the brackets, marking and fixing using the same method as the end brackets. Remove string line after all the brackets are fixed.

● **STEP 4 – Installation**

Loosen the screw slightly on the plastic block on all brackets. Only loosen slightly as the screw must not completely come out. (See Fig. 2)

Take the track with a hand each side and position the slot on the front of the track to meet the lip on the bracket. Pull forward into position and then twist the track upwards so it clips into place by the loosened plastic block.

Once in position and feels locked in back and front of track tighten the screw on the plastic block.

Repeat the process on all remaining brackets.

(See Fig. 2 & 3)

Top Fix or Ceiling Fix Options

● **STEP 1 – Measure**

Measure the position of the end two brackets and using a pencil, mark the hole positions on the ceiling or frame using the bracket holes as a guide. (See Fig. 4)

● **STEP 2 – Placement**

Use a drill to create holes in the plasterboard. If there are timber or metal studs behind the plasterboard, do not use a wall plug. If there is a cavity behind the plasterboard, use wall plugs.

● **STEP 3 – Mounting**

Use a string line between the two end brackets to get a straight line for the remaining brackets, then equally space the brackets, marking and fixing using the same method as the end brackets. Remove string line after all the brackets are fixed.

● **STEP 4 – Installation**

Take the track with a hand each side and position the slot on the front of the track to meet the lip on the bracket.

Pull forward into position and push up and slightly twisting the track so it clips into place.

(See Fig. 5)

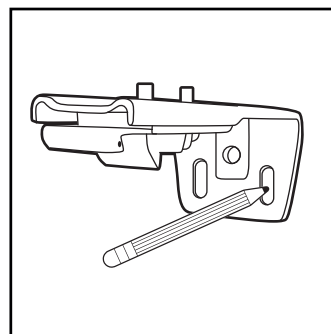


FIG. 1

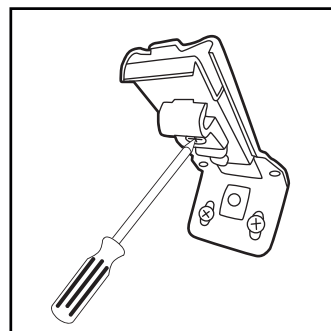


FIG. 2

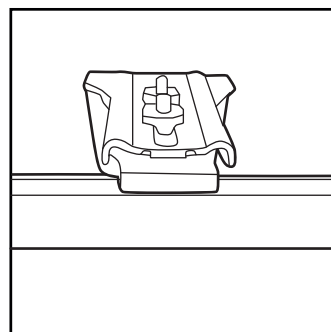


FIG. 3

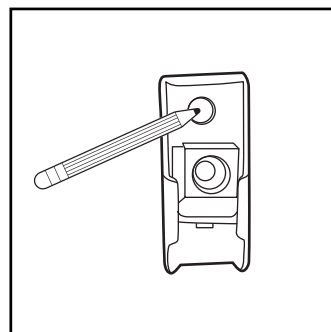


FIG. 4

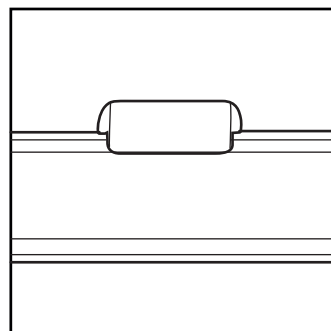


FIG. 5